

*Product Details*



**LJ Port - Straight Edge** *Max Span 8 Meters (26'-3")*



*The LJ Port looks straight from the front.*

*It slopes from back to front*



**2 Post Cantilever Port**



**4-Post Port**

**Call TODAY: 808-955-8211 • [www.kunkelworks.com](http://www.kunkelworks.com)**

**Roof Panel Choices**



Brown Panel



Blue Panel



Frosted Panel

**Recommended Panels for Hawaii**

AO Heat-cut

Frosted Heat-cut



Infra-red HC Frosted

	Brown Panel	Blue Panel	Frosted Panel	AO Heat-Cut	Frosted HC	Infra-red DR
<b>Heat-cut Ratio</b>	45%	40%	16%	83%	70%	72%
<b>Visible Light</b>	34%	20%	88%	11%	76%	27%
<b>UV-Ray Cut</b>	100%	100%	100%	100%	100%	100%

**Metal Choices**



SLC

UC

BD

KC

WH

**2-Tone-Accent Options**

TPL

JCL

TPU

JCU



*Double Port with Continuous Bearing Beam and Wood-look Accent Color*

**LJ Ports have many  
Sizes and Options**



*4-Post Single Ports in Tandem*



*Double Port with Recessed Bearing Beams*



*2-Post Single Cantilever Ports in Tandem*



*2x Double Port in Tandem (4 cars!)*



*Double Port with Recessed Posts*

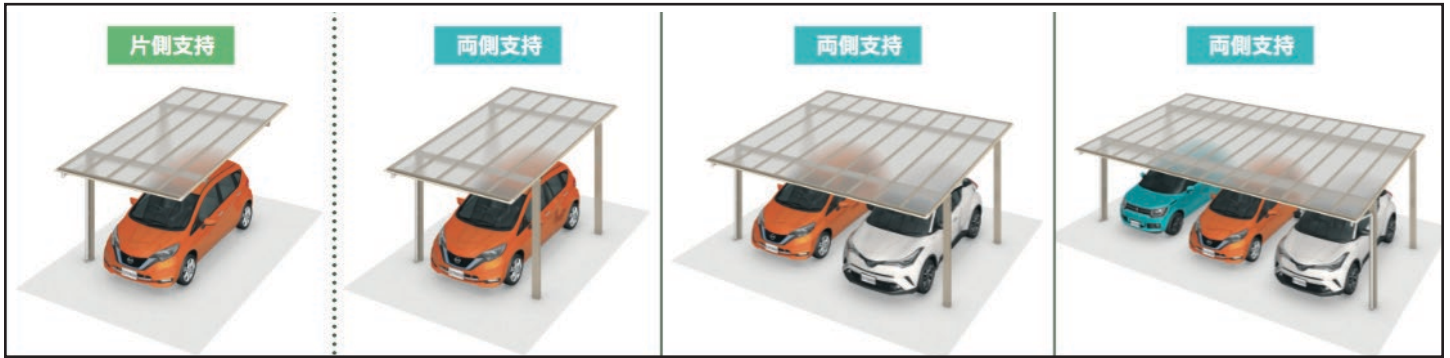


*Double Port with Extra Long Bearing Beam*

**Call TODAY: 808-955-8211 • [www.kunkelworks.com](http://www.kunkelworks.com)**

# LJ - Shapes & Combinations

There are more options available, inquire for special requests.



2-Post Cantilever

4-Post Single Port

Double Port

Triple Port



Single Port w/ Recessed Beam

Double Port w/ Recessed Posts

Double Port w/ Extended Beam



Cantilever and 4-Post Single Ports with Various Diagonal Cuts and Special Panel Positions



2x 2-Post Cantilever in Tandem

2x 4-Post Ports in Tandem

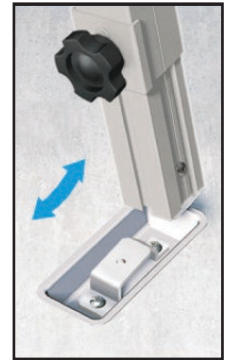
Double Port with Bracket Connection

Call TODAY: 808-955-8211 • [www.kunkelworks.com](http://www.kunkelworks.com)

# Hurricane Anchors



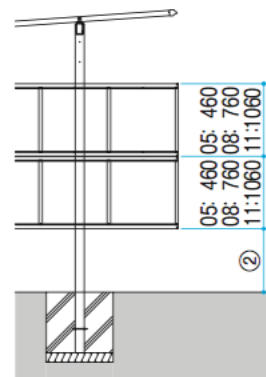
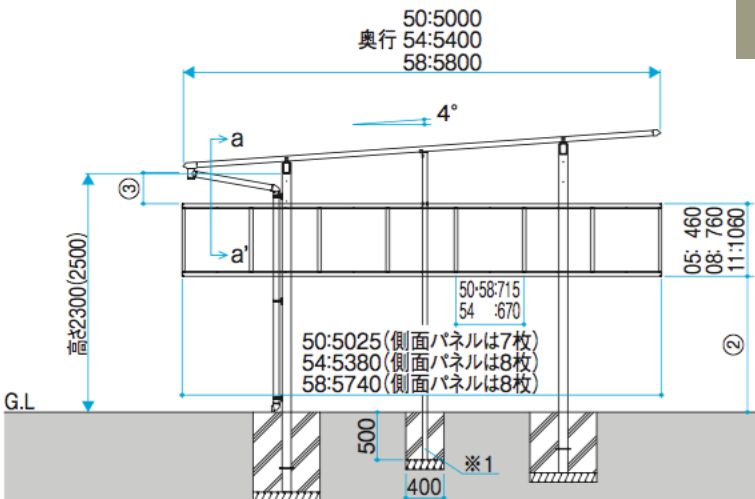
Hurricane Anchors rest on the Posts until needed



They easily snap into place



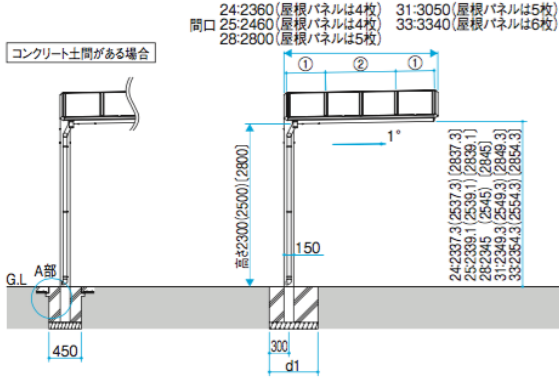
# Side-panels



( )内は高さ2500の場合。

Call TODAY: 808-955-8211 • [www.kunkelworks.com](http://www.kunkelworks.com)

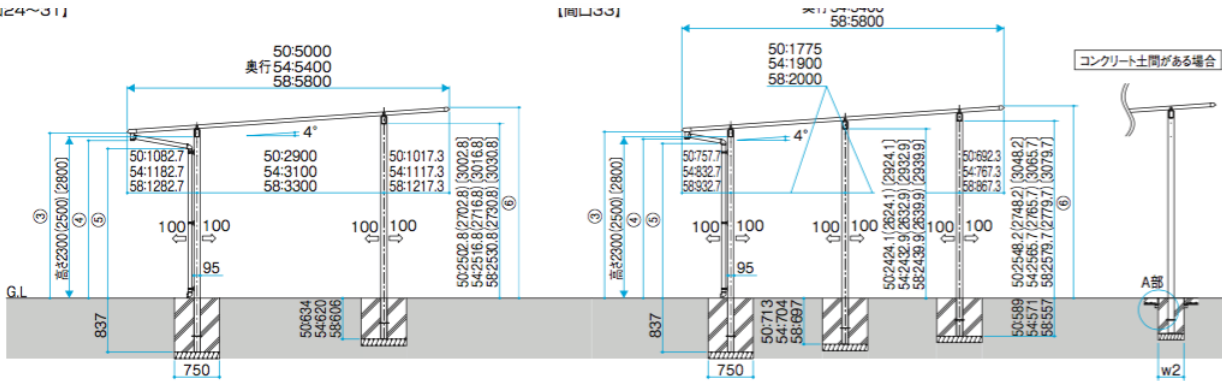
## ■基本タイプ



( )内は高さ2500、[ ]内は高さ2800の場合。

【間口24~31】

【間口33】

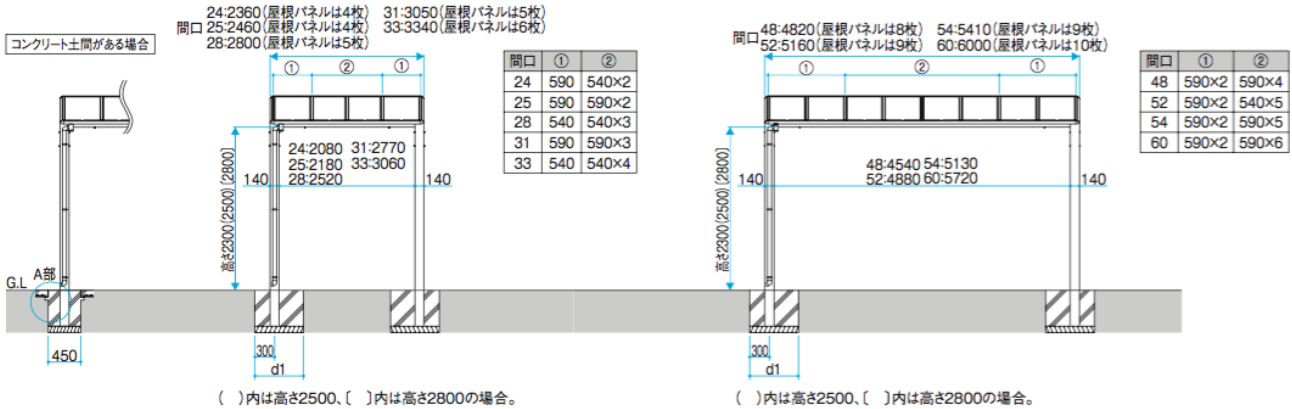


( )内は高さ2500、[ ]内は高さ2800の場合。

( )内は高さ2500、[ ]内は高さ2800の場合。

【間口24~33】

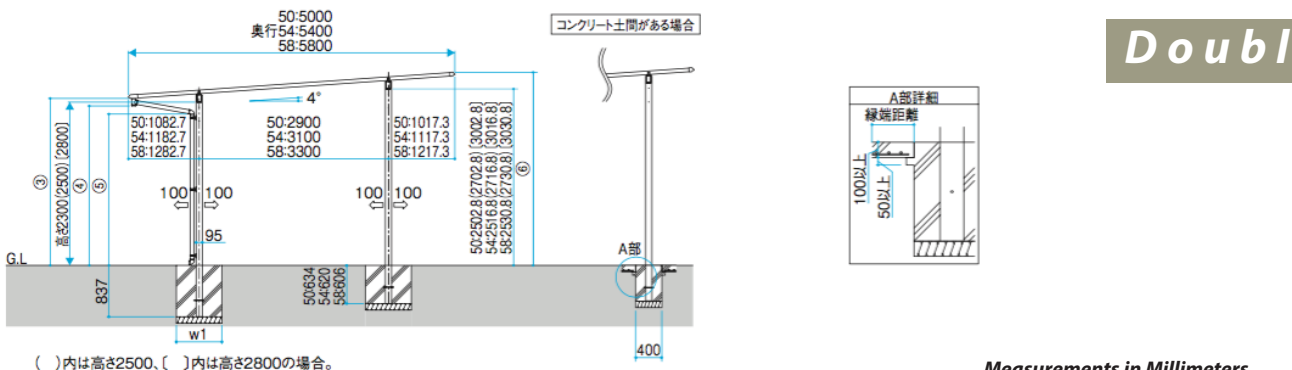
【間口48~60】



( )内は高さ2500、[ ]内は高さ2800の場合。

( )内は高さ2500、[ ]内は高さ2800の場合。

【間口24~60】



( )内は高さ2500、[ ]内は高さ2800の場合。

## Double

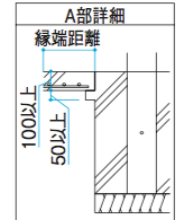
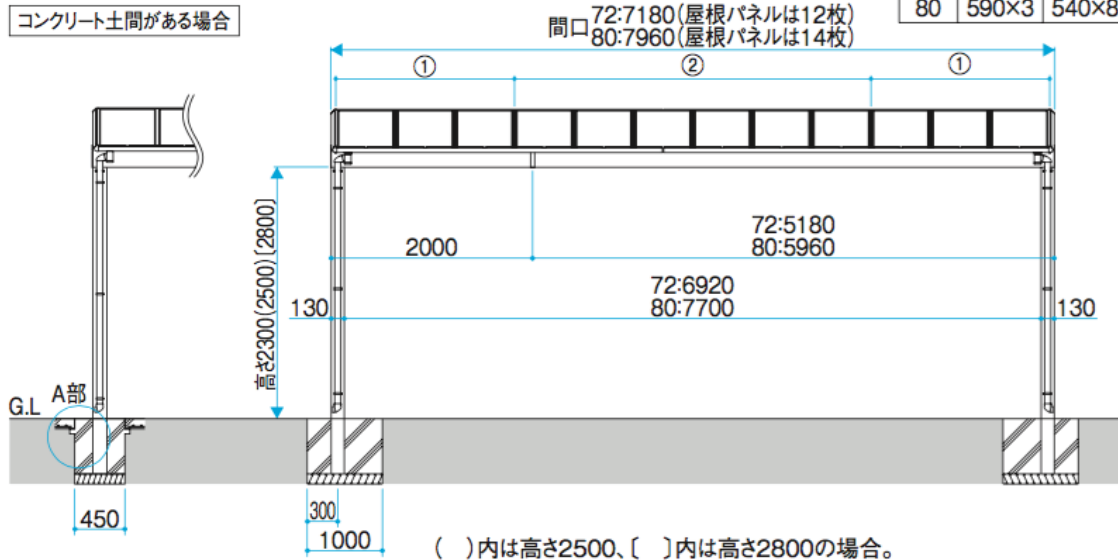
Measurements in Millimeters

■基本タイプ  
【間口72・80】

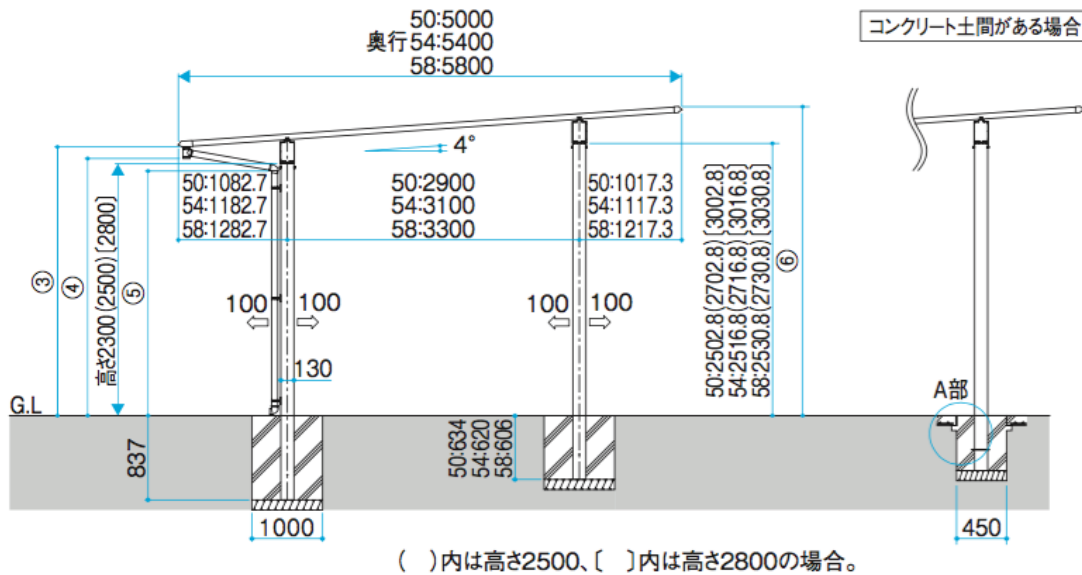
## Triple

間口	①	②
72	590×3	590×6
80	590×3	540×8

コンクリート土間がある場合



【間口72・80】



奥行	③			④			⑤			⑥		
	H23	H25	H28	H23	H25	H28	H23	H25	H28	H23	H25	H28
50	2467.8	2667.8	2967.8	2353	2553	2853	2231.3	2431.3	2731.3	2867.8	3067.8	3367.8
54	2460.8	2660.8	2960.8	2346	2546	2846	2206.7	2406.7	2706.7	2888.8	3088.8	3388.8
58	2453.8	2653.8	2953.8	2339	2539	2839	2182.1	2382.1	2682.1	2909.8	3109.8	3409.8

- ③前枠(樋)下面からG.Lまでの高さ
- ④ドレインエルボ下面からG.Lまでの高さ
- ⑤エルボ下端からG.Lまでの高さ
- ⑥後枠上面からG.Lまでの高さ

Measurements in Millimeters

*Local Installations*

*kunkel*  
**Works**



*743 Hahaione Street, Hawaii Kai*



*Frosted Heat-cut Panel*



*751 Alewa Drive, Honolulu*



*Blue Smoke Heat-cut Panel*

**Call TODAY: 808-955-8211 • [www.kunkelworks.com](http://www.kunkelworks.com)**